



Republic of the Philippines
Office of the Solicitor General

REQUEST FOR QUOTATION

To: _____
 Tel No: _____
 Fax No: _____

Date: _____
 Quotation #: _____
 ABC: _____

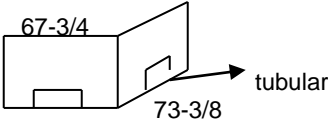
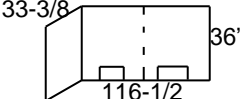
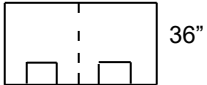
Attention: _____

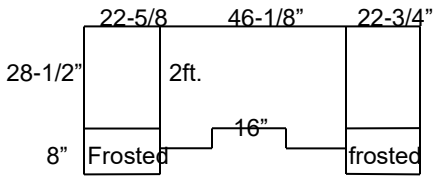
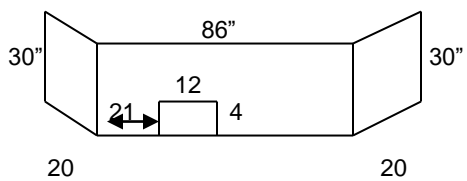
Sir/Madam:

Please quote your lowest price on the items/s listed below, stating the shortest time of delivery and submit this form duly signed by your representatives.

RODRIGO L. OJENAL
 Supervising Administrative Officer

To be filled-out by supplier:

		LOCATION:		
1	Set	<p><u>LOBBY</u> ¼ Thick acrylic with hole with 1x2 tubular, 1x1 tubular with SOBC anodized aluminum frame include installation. Size: 141-1/8" x 36"</p> 		
1	Set	<p><u>PHOTO COPY AREA</u> ¼ Thick acrylic with hole with 1x2 tubular with SOBC analog aluminum frame, include installation. Size: 149-7/8" x 36"</p> 		
1	Set	<p>Size: 107-3/4 x 36"</p> 		

<p>1 1 1</p>	<p>Pc. Pc. set</p>	<p><u>9TH FLOOR (SECRETARIAT)</u> $\frac{1}{4}$ Thick acrylic without hole Size: 39-1/4" x 30" Size: 64-3/4" x 28-1/2" with frosted. Size: 90" x 28-1/2"</p>  <p><u>9TH FLOOR JOSE CALIDA (SECRETARIAT)</u> $\frac{1}{4}$ Thick acrylic with hole, include installation. Size: 126 x 30"</p> 		
----------------------	----------------------------	--	--	--

<p>1</p>	<p>Pc.</p>	<p><u>9TH FLOOR FOR THE HEAD EXECUTIVE ASSISTANT TABLE:</u> $\frac{1}{4}$ Thick acrylic plastic for counter table with frame 1x2 tubular. Size: 46" x 36" H</p>		
----------	------------	---	--	--

Delivery Period: _____

Warranty: _____

Price Validity _____

Signature of Authorized
Representative

Note:

1. Please quote within 3 days from the date of RFQ
2. Bidders must submit current and valid documentary legal requirements upon sending the filled out quotation
 - a. Mayor's / Business Permit;
 - b. PhilGEPS Registration Number: _____ Membership: Platinum Red
 - c. Income / Business Tax Return (for Small Value Procurement);
 - d. Omnibus Sworn Statement for Small Value Procurement (upon signing of Purchase Order);
 - e. Bidders who have previously submitted above legal requirements may no longer require its re-submission.

Sir,

I hereby certify under oath that I have personally conducted this canvass, which the price/s quoted are correct, and the signature of representative of the company submitting the quotation is genuine.

Paolo Miguel U. Torio
Signature of Canvasser

For more information, you may contact us:

Tel: (02) 8836-3314, (02) 8988-1674 loc. 691

Telefax: (02) 8813-1174

Please send your quotation to:

paomigz27@gmail.com / paomigz27@yahoo.com